

Z-LOK STM CONNECTORS SMOOTH WALL PIPE DATA

FLATWALL CONNECTORS ARE MARKED (S-F) ROUNDWALL CONNECTORS ARE MARKED (S-R)
SMOOTHWALL Z-LOK STM CONNECTORS DO NOT HAVE NOTCHES AT 3 & 9 TO TIGHTEN DOWN CLAMPS

Z-LOK STM PART #	MIN. PIPE O.D.	MAX. PIPE O.D.	Z-LOK STM MANDREL PART#	Z-LOK STM CLAMP PART#
ZS-8016-S-F ZS-8016-S-R	14.00"	15.00"	SM-8016-F SM-8016-R	CL-128 + CL-188
ZS-8019-S-F ZS-8019-S-R	16.00"	17.00"	SM-8019-F SM-8019-R	CL-128 + CL-188
ZS-8020-S-F ZS-8020-S-R	17.00"	18.00"	SM-8020-F SM-8020-R	CL-128 + CL-188
ZS-8021-S-F ZS-8021-S-R	18.00"	19.00"	SM-8021-F SM-8021-R	CL-128 + CL-188
ZS-8022-S-F ZS-8022-S-R	19.00"	20.00"	SM-8022-F SM-8022-R	CL-128 + CL-188
ZS-8023-S-F ZS-8023-S-R	20.00"	21.00"	SM-8023-F SM-8023-R	CL-088 + CL-248
ZS-8024-S-F ZS-8024-S-R	21.00"	22.00"	SM-8024-F SM-8024-R	CL-088 + CL-248
ZS-8025-S-F ZS-8025-S-R	22.00"	23.00"	SM-8025-F SM-8025-R	CL-128 + CL-248
ZS-8026-S-F ZS-8026-S-R	23.00"	24.00"	SM-8026-F SM-8026-R	CL-188 + CL-248
ZS-8027-S-F ZS-8027-S-R	24.00"	25.00"	SM-8027-F SM-8027-R	CL-188 + CL-248
ZS-8028-S-F ZS-8028-S-R	25.00"	26.00"	SM-8028-F SM-8028-R	CL-248 (2)*
ZS-8029-S-F ZS-8029-S-R	26.00"	27.00"	SM-8029-F SM-8029-R	CL-248 (2)*
ZS-8030-S-F ZS-8030-S-R	27.00"	28.00"	SM-8030-F SM-8030-R	CL-248 (2)*
ZS-8031-S-F ZS-8031-S-R	28.00"	29.00"	SM-8031-F SM-8031-R	CL-248 (2)*
ZS-8032-S-F ZS-8032-S-R	29.00"	30.00"	SM-8032-F SM-8032-R	CL-248 (2)*
ZS-8033-S-F ZS-8033-S-R	30.00"	31.00"	SM-8033-F SM-8033-R	CL-248 (2)*
ZS-8034-S-F ZS-8034-S-R	31.00"	32.00"	SM-8034-F SM-8034-R	CL-040 + CL-248 (2)*
ZS-8035-S-F ZS-8035-S-R	32.00"	33.00"	SM-8035-F SM-8035-R	CL-040 + CL-248 (2)*
ZS-8036-S-F ZS-8036-S-R	33.00"	34.00"	SM-8036-F SM-8036-R	CL-040 + CL-248 (2)*
ZS-8037-S-F ZS-8037-S-R	34.00"	35.00"	SM-8037-F SM-8037-R	CL-088 + CL-248 (2)*
ZS-8038-S-F ZS-8038-S-R	35.00"	36.00"	SM-8038-F SM-8038-R	CL-088 + CL-248 (2)*
ZS-8039-S-F ZS-8039-S-R	36.00"	37.00"	SM-8039-F SM-8039-R	CL-128 + CL-248 (2)*
ZS-8040-S-F ZS-8040-S-R	37.00"	38.00"	SM-8040-F SM-8040-R	CL-128 + CL-248 (2)*
ZS-8041-S-F ZS-8041-S-R	38.00"	39.00"	SM-8041-F SM-8041-R	CL-128 + CL-248 (2)*
ZS-8042-S-F ZS-8042-S-R	39.00"	40.00"	SM-8042-F SM-8042-R	CL-128 + CL-248 (2)*
ZS-8043-S-F ZS-8043-S-R	40.00"	41.00"	SM-8043-F SM-8043-R	CL-188 + CL-248 (2)*
ZS-8044-S-F ZS-8044-S-R	41.00"	42.00"	SM-8044-F SM-8044-R	CL-188 + CL-248 (2)*
ZS-8045-S-F ZS-8045-S-R	42.00"	43.00"	SM-8045-F SM-8045-R	CL-188 + CL-248 (2)*
ZS-8046-S-F ZS-8046-S-R	43.00"	44.00"	SM-8046-F SM-8046-R	CL-248 (3)*
ZS-8047-S-F ZS-8047-S-R	44.00"	45.00"	SM-8047-F SM-8047-R	CL-248 (3)*
ZS-8048-S-F ZS-8048-S-R	45.00"	46.00"	SM-8048-F SM-8048-R	CL-248 (3)*

NOTE: 2 PIECE MANDRELS MUST BE USED FOR FLATWALL STRUCTURES ABOVE 6" AND ALL ROUNDWALL STRUCTURES.
Z-LOK STM SMOOTHWALL CONNECTORS NEED BETWEEN 1-3 CLAMPS DEPENDING ON SIZE. SEE (*)

ANY QUESTIONS REGARDING Z-LOK STM CONNECTOR INSTALLATION, PLEASE CALL 1-800-822-2565

Z-LOK STM CONNECTORS

CORRUGATED PIPE DATA

FLATWALL CONNECTORS ARE MARKED (C-F) ROUNDWALL CONNECTORS ARE MARKED (C-R)
 CORRUGATED Z-LOK STM CONNECTORS HAVE NOTCHES LOCATED AT 3 & 9 FOR TAKE-DOWN CLAMP ADJUSTMENT.

Z-LOK STM PART #	PIPE SIZE	MAX. O.D.	Z-LOK STM MANDREL PART#	Z-LOK STM CLAMP SIZE
ZS-8016-C-F	12" CPP	15.00"	SM-8016-F	CL-EV12L
ZS-8016-C-R			SM-8016-R	
ZS-8019-C-F	15" CPP	17.75"	SM-8019-F	CL-EV15-18L
ZS-8019-C-R			SM-8019-R	
ZS-8022-C-F	18" CPP	21.47"	SM-8022-F	CL-EV15-18L
ZS-8022-C-R			SM-8022-R	
ZS-8029-C-F	24" CPP	27.80"	SM-8029-F	CL-EV24L
ZS-8029-C-R			SM-8029-R	
ZS-8031-C-F	24" HANCOR ONLY	28.40"	SM-8031-F	CL-EV24H
ZS-8031-C-R			SM-8031-R	
ZS-8039-C-F	30" CPP	35.50"	SM-8039-F	CL-EV30H
ZS-8039SCR			SM-8039-R	
ZS-8045-C-F	36" CPP	41.75"	SM-8045-F	CL-EV36H
ZS-8045-C-R			SM-8045-R	

CORRUGATED POLYETHYLENE PIPE (CPP) NEEDS THE EV CLAMP DESIGN.

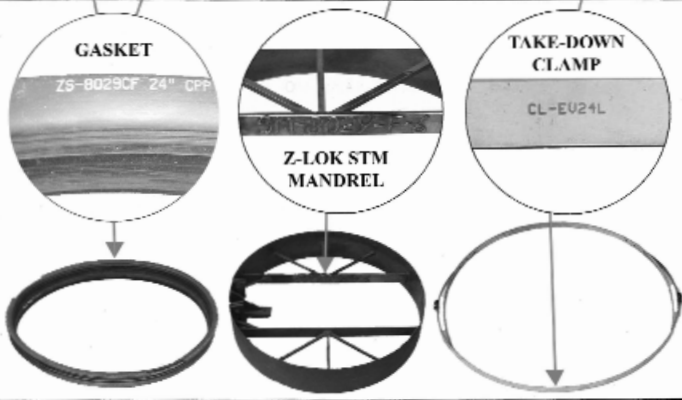
NOTE: NEED TO INDICATE WHEN ORDERING IF GASKETS ARE FOR ROUND OR FLATWALL

EXAMPLE: ZS-XXXX-C-F = CORRUGATED FOR FLATWALL STRUCTURES
 ZS-XXXX-C-R = CORRUGATED FOR ROUND STRUCTURES

NOTE: ZS-8031 WOULD BE FOR 24" HANCOR PIPE BECAUSE OF THE LARGER VALLEY ON THE PIPE.

COMPONENT IDENTIFICATION FOR Z-LOK STM CONNECTORS

Z-LOK STM PART#	PIPE SIZE	MAX. O.D.	Z-LOK STM MANDREL PART #	Z-LOK STM CLAMP SIZE
ZS-8016-C-F	12" CPP	15.00"	SM-8016-F	CL-EV12L
ZS-8016-C-R			SM-8016-R	
ZS-8019-C-F	15" CPP	17.75"	SM-8019-F	CL-EV15-18L
ZS-8019-C-R			SM-8019-R	
ZS-8022-C-F	18" CPP	21.47"	SM-8022-F	CL-EV15-18L
ZS-8022-C-R			SM-8022-R	
ZS-8029-C-F	24" CPP	27.80"	SM-8029-F	CL-EV24L
ZS-8029-C-R			SM-8029-R	
ZS-8031-C-F	24" HANCOR ONLY	28.40"	SM-8031-F	CL-EV24H
ZS-8031-C-R			SM-8031-R	
ZS-8039-C-F	30" CPP	35.50"	SM-8039-F	CL-EV30H
ZS-8039-C-R			SM-8039-R	
ZS-8045-C-F	36" CPP	41.75"	SM-8045-F	CL-EV36H
ZS-8045-C-R			SM-8045-R	

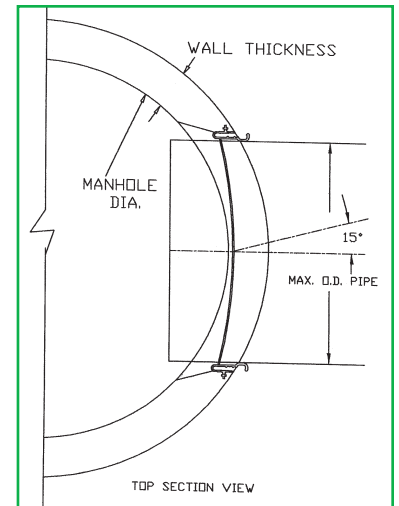


Z-LOK STM PROFILE COMPARISON



Smooth Wall Pipe

MANHOLE DIA.	MAX. O.D. PIPE
48" DIA. 5" WALL	28 IN.
60" DIA. 6" WALL	30 IN.
72" DIA. 7" WALL	37 IN.
84" DIA. 8" WALL	44 IN.
96" DIA. 9" WALL	51 IN.



Corrugated Pipe

MANHOLE DIA.	MAX. O.D. PIPE
48" DIA. 5" WALL	22 IN.
60" DIA. 6" WALL	30 IN.
72" DIA. 7" WALL	37 IN.
84" DIA. 8" WALL	42 IN.

